

Sette 270Wi

CONICAL BURR GRINDER MANUAL

INTRODUCTION

Thank you for purchasing the Sette Conical Burr Coffee Grinder. With the Sette, it's now easier than ever to make a delicious cup of coffee.

Below are some of the features that make the Sette stand out from other grinders in its class.

Conical Burrs

Manufactured in Liechtenstein, the 40mm steel conical burrs grind coffee at 3.5 grams to 5.5 grams a second, depending on the setting. These conical burrs are durable and will remain sharp for many years. The adjustment mechanism provides precise burr alignment to ensure accurate grinding.

Grind Adjustment

The Sette has 31 macro-adjustment steps which range from fine for espresso to medium-coarse for manual brewing. A stepless micro-adjustment, with nine indicators, allows the user to precisely dial in a perfect espresso shot. The adjustment mechanism is directly connected to the cone burr, resulting in immediate and true grind adjustment. This unique adjustment system gives the Sette a total of 270 discreet grind settings.



Digital Control Panel

The control panel with backlit LED display is user-friendly. Three preset buttons can be programmed to the tenth of a gram for grind-by-weight operation. Simply press the "START" button and the Sette automatically delivers precise dosing.

Convertible Device Holder

A built-in convertible device holder allows you to grind directly into your portafilter, the supplied grounds bin, or a range of manual brewing devices – a standout feature amongst all other home grinders. The Sette's grounds bin is made from an anti-static plastic, with a spout for easy transfer into your preferred brewing device. The device holder can accommodate a wide range of portafilter sizes and includes an integrated hook for stability.

TABLE OF CONTENTS

INTRODUCTION	1
SAFETY INFORMATION	3
PARTS IDENTIFICATION	4
OPERATION	5
Initial Setup	5
Duty Cycle	5
Adjusting the Convertible Device Arms & Portafilter Hook	6
Adjusting the Grind Settings	6
Recommended Initial Settings	6
Weight Based Grinding Operation	7
Don't Single Dose	7
Programming	7
Burst Mode	7
Pulse Function/Manual Mode	8
Soft Reset Function	8
Single Point Calibration	8
Bluetooth	9
Over-the-air Updates	9
Backlight	9
CARE & CLEANING	10
Removing the Bean Hopper	10
Removing the Cone Burr/Grind Adjustment Assembly	10
Reinstalling the Cone Burr/Grind Adjustment Assembly	11
Cleaning the Grounds Bin, Hopper & Burrs	12
Clearing a Clogged Grinder	12
Unclogging the Grinder	12
Automatic Cleaning	12
Recalibrating/Shimming the Cone Burr	13
WARRANTY & SERVICE	14
US & Canadian Warranty Information	14
International Warranty Information	14
Proof of Purchase & Product Registration	14
Information on Repair or Questions	14

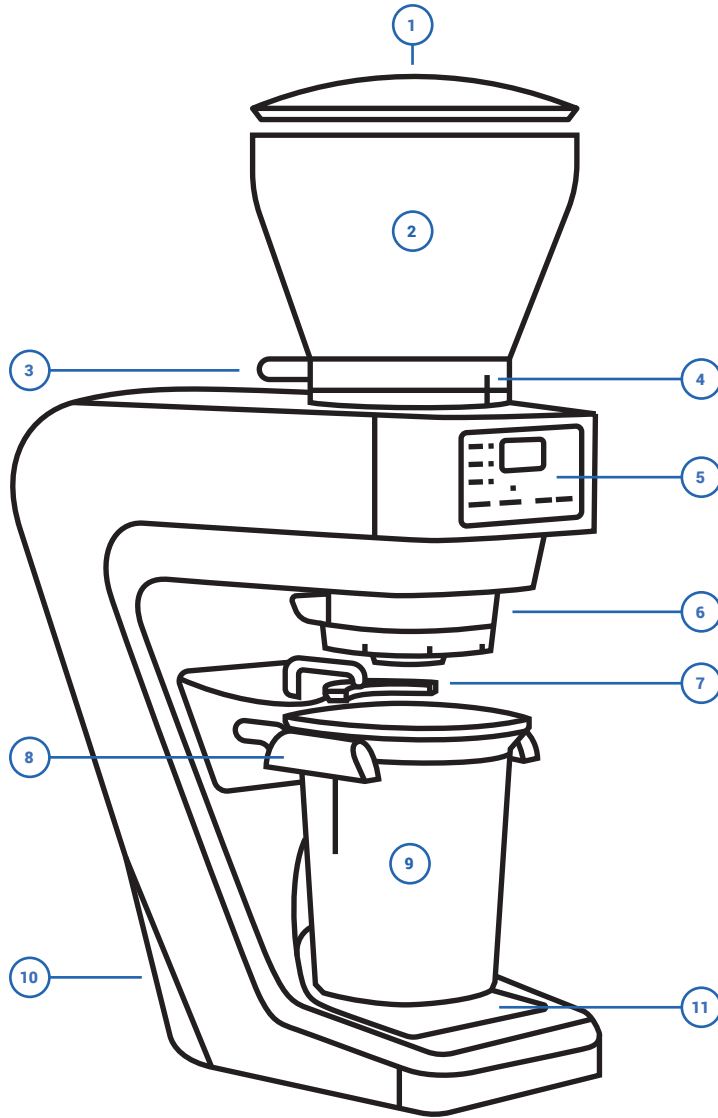
SAFETY INFORMATION

Please read the information below very carefully. It contains important safety information for this appliance. Please keep these instructions for future reference.

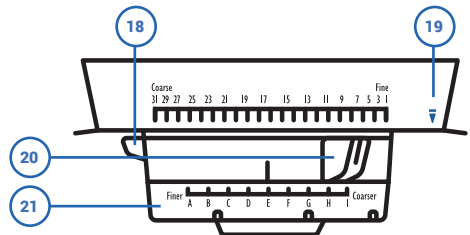
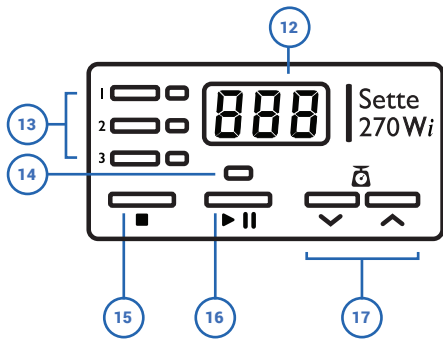
- ! Use only with AC current and the correct voltage. See the label on the base of the grinder to determine the correct voltage.
- ! Only clean the grinder housing with a dry or slightly damp cloth. Do not immerse the grinder, plug or cord in water or any other liquid.
- ! Baratza will not accept any liability for damage, injury, or warranty if the grinder is used other than for its intended purpose (i.e. grinding roasted whole coffee beans) or is improperly operated or repaired.
- ! This appliance may be used by children aged from 8 years and above and persons with reduced physical, sensory or mental capabilities or lack of experience and knowledge if they are supervised or have been given instruction concerning use of the appliance in a safe way and understand the hazards involved.
- ! If the electrical supply cord is damaged, it must be replaced by the manufacturer, its service agent or similarly qualified persons in order to avoid a hazard.
- ! Always unplug the electrical supply cord before assembling, disassembling or cleaning the grinder.
- ! To unplug, grasp the plug and remove from the outlet. Never pull on the cord.
- ! Keep the appliance and its cord out of reach of children aged less than 8 years.
- ! Do not leave your grinder unattended while powered ON.
- ! Cleaning and maintenance shall not be done by children without supervision.
- ! Do not operate the grinder with a damaged cord or plug.

CAUTION: ALWAYS unplug the electrical supply cord prior to cleaning the grinder.

PARTS IDENTIFICATION



1. Hopper Lid
2. Bean Hopper
3. Bean Shutoff Knob
4. Hopper Alignment Indicator
5. Control Panel
6. Grind Adjustment Assembly
7. Adjustable Portafilter Hook
8. Convertible Device Arms
9. Grounds Bin
10. Power Cord
11. Removable Grounds Tray



12. LCD Display
13. Memory Preset Buttons & Indicators
14. Grinding Indicator
15. Stop
16. Start/Pause
17. Grind Weight Adjustment Buttons
18. Installation/Removal Tab
19. Installation/Removal Indicator
20. Macro Adjust
21. Stepless Micro Adjust
22. Bag of Tools

OPERATION

INITIAL SETUP

Hand-wash the hopper lid (1), bean hopper (2), grounds bin (9), and removable grounds tray (11) in warm, soapy water and dry thoroughly. Do not wash the grind adjustment assembly (6) in water or it, and the cone burr, will rust.

With the bean shutoff knob (3) facing the 11 o'clock position, line up the 3 hopper tabs with the slots in the top of the grinder. Set the hopper in place and rotate firmly clockwise until the hopper clicks into place. Install the hopper lid (1) onto the bean hopper (2). Rotate macro-adjustment until the black grind setting indicator is at 18.

Note: The hopper must be installed with the black grind setting indicator (20) on a setting of 31 or lower for the motor to start. Ensure the shut-off knob (3) is in the open position.

DUTY CYCLE (RATIO OF GRINDER USE:REST)

The Sette is designed for a maximum of 2 lbs (1 kg) per day, with a duty cycle of 10%. Exceeding this duty cycle will not immediately break your Sette, however its longevity may be reduced if you exceed this. We want to remind everyone buying the Sette that it was designed for home use (short duration grinding).

Here is a general overview of the duty cycle of the Sette Series:

1. **Espresso (Settings 3-9):** after grinding a dose of espresso (avg 18g), for approx 6 seconds, the 270Wi should rest for about 60 seconds. This is about what you would expect if making back-to-back shots on a one-group machine - 1 shot/minute.
2. **Brew (Setting 15-30):** if grinding a batch for filter brew (of no more than 150g of coffee in a single operation - about the capacity of the included grounds bin) for approx 25 seconds. Then, the grinder should rest for about 250 seconds - 1 grind batch/4 mins.

ADJUSTING THE CONVERTIBLE DEVICE ARMS & PORTAFILTER HOOK:

To convert the device holder to the portafilter holder position, push in on the right arm and swing it down and to the left until it clicks into position (fig. A). To return to the original position, push in on the right arm and rotate to the right and up until it clicks into place (fig. B). The left arm will automatically move into position as the right arm is moved.

When grinding directly into a portafilter, you must first convert the arms to portafilter holder position and swing the hook to the front. The hook is designed to support the top lip of your portafilter while the arms support the bottom of your portafilter. It is imperative that the hook is adjusted so that the portafilter sits level. To adjust the hook, loosen the 2mm hex screw that sits below the hook, adjust the portafilter hook up or down, and tighten screw once in the proper position. After adjusting the hook, run a test grind. If the portafilter does not sit level through the grinding process, further adjustments may be needed.

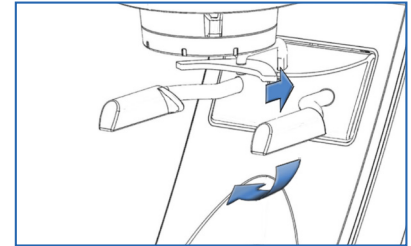


fig. A

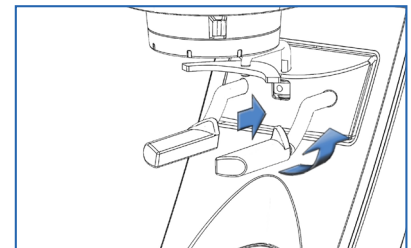


fig. B

ADJUSTING THE GRIND SETTING

The Sette has two different adjustments. The macro adjust makes large adjustments from 1-31, while the stepless micro adjust allows for small adjustments to fine-tune. We recommend running the motor when making micro or macro grind adjustments. It’s best to start with your micro adjustment at “E”, and dial in the macro as close to the desired grind as possible, then adjust the micro as needed.

RECOMMENDED INITIAL SETTINGS

The macro settings shown in the table below can be used as general guidelines for starting points*. The actual particle size for a particular setting will vary depending on many factors that include the degree of roast (light vs. dark), freshness, humidity, type of bean, oil content, etc. As such, there is no exact correct setting for any brewing method. Baratza recommends starting with our suggested settings and adjusting to taste from there. For espresso, we recommend 9E. For drip, we recommend 20E. With use, you will determine the setting that is right for your taste, brewing style, and your favorite beans.

Espresso	AeroPress	V-60	Drip brew
3-9	10-15	13-18	15-25

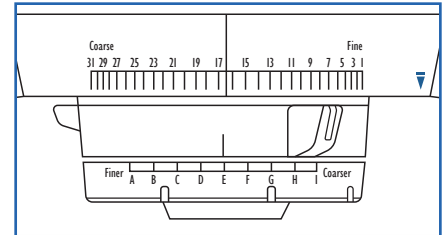
*If you find that your preferred setting is outside of this range, there is no need to be concerned, grind to your personal taste.

Warning: The Sette grinds at a very high speed, so be careful not to overfill the portafilter or bin! If a mound of coffee backs up into the chute it will clog the grinder. Unclogging requires thorough manual cleaning.

WEIGHT BASED GRINDING OPERATION

Place the portafilter or grounds bin onto the convertible arms. Press a preset button (1,2,3). The screen will show the corresponding programmed grind weight in grams. Press "START". There may be a slight delay as the machine tares and then begins grinding. While grinding, the screen will count up in grams to the target weight and the motor will stop, hitting the desired gram amount.

If you would like to stop before the cycle has completed, press the STOP button. This will turn the motor off, and reset the screen to your initially chosen grind weight. However, if you would like to pause the grind without resetting to the initially chosen grind weight, press the PAUSE button. This will immediately pause the machine. Pressing "START" will resume grinding until the unit reaches the desired weight. To reset the grind cycle press the STOP button.



DON'T SINGLE DOSE

The 270Wi software adjusts the motor stop point based on throughput rate and error(s) of the previous grind cycles. The Wi cannot dose accurately or consistently if a single dose of beans is put in the hopper. For best results, have two or more doses in the hopper when grinding. For more details, reach out to support@baratza.com.

PROGRAMMING

The Sette 270Wi is equipped with three programmable buttons (1, 2, 3). These only adjust the desired grind weight, they do not adjust the grind setting (i.e. coarse/fine). Each button comes from the factory with the following presets: 1=18g, 2=25g, 3=35g.

You can easily adjust the presets by following these steps:

1. Select a preset button.
2. Press the up or down arrow buttons to adjust the weight.
3. Once you have reached the desired weight setting, press and hold the preset button for three seconds, at which point the screen will blink to confirm. The setting is now saved, even if the grinder is unplugged.

Note that the Sette 270Wi, when new, will require 3 to 4 grind cycles to self-adjust and dose within a few tenths of a gram of the target

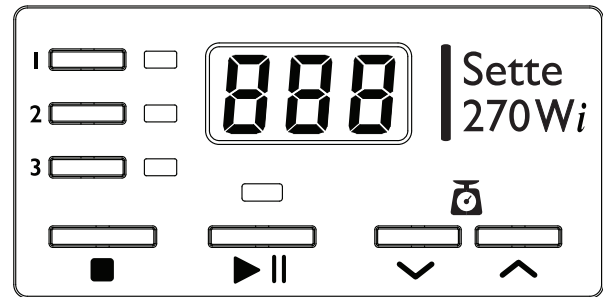
BURST MODE

If during weight based grinding operation, a preset grind cycle is stopped within five grams of the target weight due to interference, pressing "START" will provide a very short burst of grinding that can be repeated indefinitely. Use this mode to "top off" a dose. Exiting this mode requires removal of the grounds bin/portafilter or pressing the STOP button.

If the grinder stops more than five grams before the target weight, the grinder will not enter Burst Mode and instead will behave as if paused. Simply press "START" once more to resume grinding towards the target weight.

PULSE FUNCTION/MANUAL MODE

The Sette 270Wi also has a pulse function/manual weight grinding mode. To turn the grinder on in this mode, simply hold "START" for more than two seconds. The Sette will flash "P", then it will show 0.0, indicating that the scale has tared. Pressing and holding "START" again will engage the motor. The grinder will count up as it measures ground coffee, and will cease grinding as soon as "START" is released. At this point, the "START" button is now a pulse button. To exit this mode, press STOP.



SOFT RESET FUNCTION

The soft reset function serves to erase the grinder's "memory" of previous grinds. This is useful if the grinder has not reached an accurate dose weight after 3-4 grinds (on a single grind setting), or after making a significant change in grind setting (15+ macro settings). Erasing the record of previous grinds allows the software to start learning with a clean slate. Each preset (1, 2 & 3) has its own independent "memory", so the Soft Reset function is specific to a single preset.

NOTE: 5g minimum for preset mode: The software prevents users from setting a preset below 5g. Due to the speed of the grinder, it is unable to be accurate for weights less than 5g.

To perform a Soft Reset on a specific preset, make sure the desired preset is selected. Then double tap the PLAY button. The grinder will flash "CC" then immediately grind the preset dose. From this dose forward, the grinder should reach accuracy within 3-4 grinds, as long as the grind size is not changed.

SINGLE POINT CALIBRATION

The 270Wi scale is calibrated at our factory and is ready to grind out of the box. Single point calibration allows the end user to calibrate the load cell in the operating environment to best ensure that the 270Wi readout is accurate relative to the international unit of a kilogram. This enables the user to share more accurate data, but is not required for the unit to repeatedly produce a consistent dose. The 500g calibration weight is not included with the 270Wi but is available on www.acaia.co.

Single Point Calibration:

1. Press & hold Preset 1, plug in power
2. Wait until the screen shows CAL
3. Release Preset 1
4. Put the empty grounds bin on the arms
5. Press Stop to tare the empty grounds bin

! Do steps 6-8 as fast as possible because the unit times out quickly once the bin is removed

6. Remove grounds bin
7. Put 500g Acaia weight in grounds bin
8. Put bin and 500g weight back on the arms
9. Display should flash between CAL and 500
10. Press Start to calibrate
11. If screen shows E05, go back to (5)
12. When screen shows End, the calibration is finished

! E05 will appear if grinder doesn't receive a steady 500g reading in step 9, often caused by the unit being on an unsteady surface

BLUETOOTH

Your Sette 270Wi is equipped with Bluetooth thanks to collaboration between Baratza and Acaia. Bluetooth functionality allows for easy updating of the software and user experience without the need to conduct physical repairs, as well as access to Acaia's suite of apps for coffee enthusiasts.

OVER-THE-AIR UPDATES

For the best experience, download Sette Updater (by Acaia) from the Apple App Store. If, in the future, changes are made to the user experience or software, your 270Wi can receive those updates via Bluetooth.

BACKLIGHT

To turn off the backlight, press and hold STOP for two seconds. To turn the backlight on, simply press the STOP button.

CARE AND CLEANING

REMOVING THE BEAN HOPPER

Rotate the bean shutoff knob to the CLOSED position, then press the "START" button to purge any remaining beans. Remove the power plug from the power outlet. Remove the hopper by rotating it counterclockwise until it stops, and then lift the bean hopper off of the grinder housing. It can be helpful to remove/insert the hopper while the lid is on, to provide stability.



REMOVING THE CONE BURR/GRIND ADJUSTMENT ASSEMBLY

1. The adjustable portafilter hook must be swung to the side in order to remove the grind adjustment assembly (fig. C).
2. Rotate the bean shutoff knob so it is in the CLOSED position, then hold the START button to run any remaining beans through the grinder (fig. D).
3. Once the grinder has been fully purged, rotate the grind adjustment assembly beyond the coarsest setting to the install/remove indicator (blue triangle). The assembly will release downward for removal (fig. E).

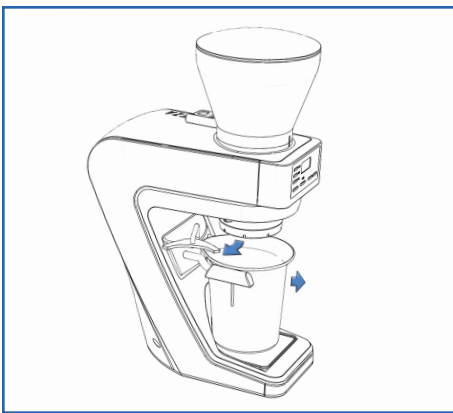


fig. C

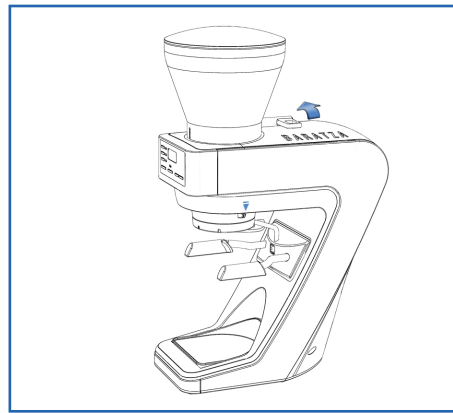


fig. D

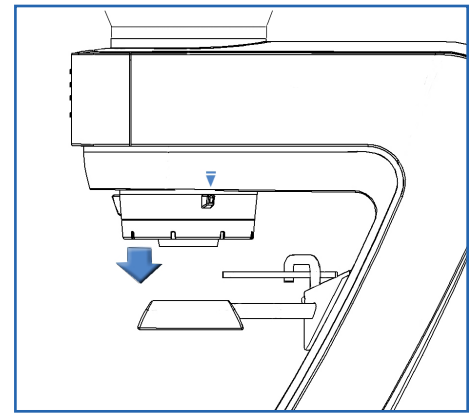


fig. E

REINSTALLING THE CONE BURR/GRIND ADJUSTMENT ASSEMBLY

1. Align the blue installation/removal indicator on the grind adjustment assembly with the blue installation/removal indicator on the right side of the machine (fig F).
2. Keeping the two blue indicators aligned, gently press up on the grind adjustment assembly and rotate the black cone burr holder (fig G) until the tabs and notches line up and the cone burr holder slides up into the machine. At this point the cone burr and holder will be inserted into the machine and no longer visible (fig H). For a video tutorial, watch our video on YouTube: <https://www.youtube.com/watch?v=cEsGof65vdU>.
3. While applying upward pressure, rotate the grind adjustment assembly as shown (fig H) rotating the blue tab towards the rear of the grinder. The adjustment assembly will click as it properly engages and the black macro adjustment will be aligned with the 1-31 scale on the machine.

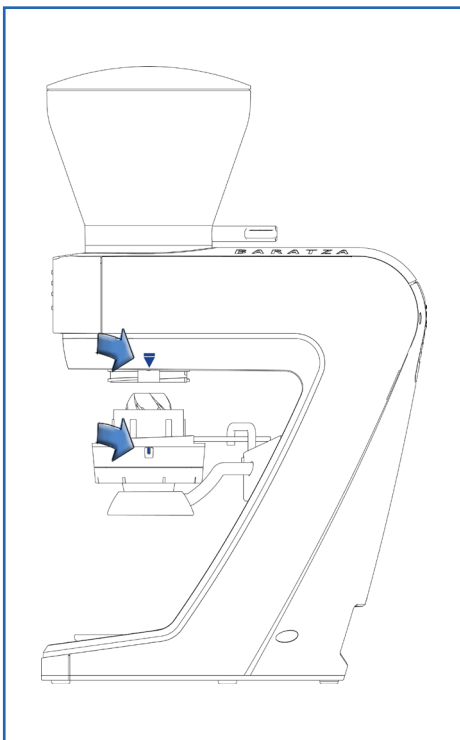


fig. F

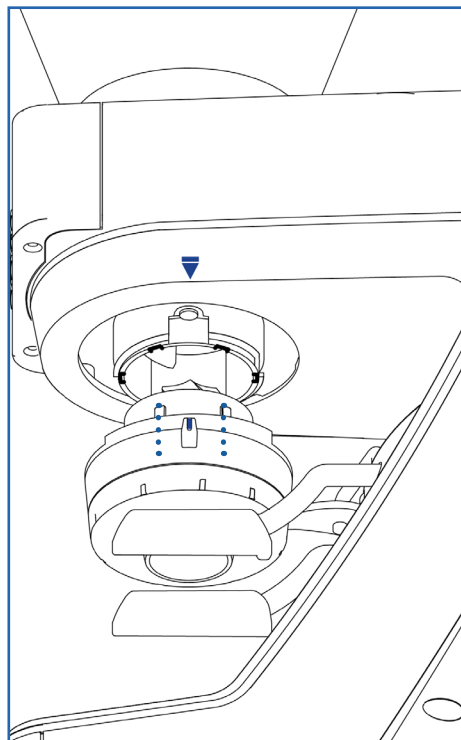


fig. G

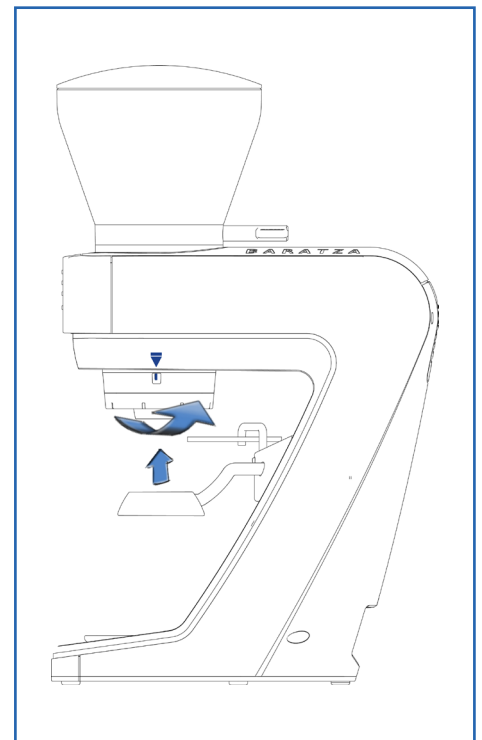


fig. H

CLEANING THE GROUNDS BIN, HOPPER AND BURRS

Wash the grounds bin, hopper, and the hopper lid in warm soapy water, then rinse and dry. **Never** wash the burrs or they will rust. If the grinder is used daily, the burrs should be cleaned every few months with a stiff brush or by using tablets (see below for Automatic Cleaning). Note that tablets will not clear a clogged grinder. If your grinder is clogged, refer to Clearing a Clogged Grinder.

Do not put the bean hopper, hopper lid, or grounds bin in the dishwasher. Hand wash only. Again, Do NOT wash the grind adjustment assembly OR BURRS in water.

CLEARING A CLOGGED GRINDER

If your grinder is not dispensing coffee normally, it could be clogged with coffee powder. This can happen if the grounds bin or portafilter is allowed to overfill and ground coffee gets backed up into the grounds chute and grinding chamber. It can also happen with the buildup of coffee oils.

UNCLOGGING THE GRINDER

1. Remove the cone burr/adjustment collar assembly (see figures C, D, and E).
2. The cone burr will have compacted coffee around and below it. Using a fine tool like a toothpick or chopstick, break up the compacted coffee.
3. Continued picking and scraping will eventually clear out the ports in the cone burr holder until they are visibly cleared.

AUTOMATIC CLEANING

A thorough, fast, and easy cleaning can be accomplished using Full Circle™ biodegradable grinder cleaning tablets. Full Circle tablets are designed to dislodge coffee particles and absorb and remove odors and coffee oil residue. Remove all beans from the hopper and run the grinder to remove any beans inside. Place the recommended amount of Full Circle into the empty hopper. Set the macro adjust to 20, insert the grounds bin and run the grinder until empty. Grind all of the tablets into the bin. Once complete, we recommend grinding approximately 30g coffee to remove any tablet residue. Discard the ground tablets/coffee. For information on Full Circle cleaning tablets, go to www.urnex.com.

RECALIBRATING/SHIMMING THE CONE BURR:

After the first few pounds of coffee, the grind produced at the lowest setting may not be fine enough for espresso. To shift the grind range finer, a small washer (included) can be installed below the cone burr. First, follow the steps in “Removing the Cone Burr/Grind Adjustment Assembly” (on page 10) then proceed to the steps below.

1. Take the grind adjustment assembly in your hand, grab the cone burr and holder with your other hand and pull/pry them apart. (fig I)
2. Once the cone burr and holder are separated, remove the clear plastic funnel by pulling away from the cone burr holder.
3. With the included 5mm hex wrench, fully loosen the bolt in the bottom of the cone burr holder.
4. Remove the cone burr from the holder. The cone burr is often tightly affixed. To easily remove, put the 5mm hex bolt back in position but do not thread it in. Insert your 5mm hex key into the head of the bolt, and then tap the hex key against your work surface. This tactic enables the user to punch the cone burr off of the holder. (fig J)
5. Place one washer onto the mating surface of the cone burr holder.
6. Reinstall the cone burr so that the tabs on the cone burr holder seat fully into the slots on the bottom of the burr.
7. Reinstall the bolt and tighten down as much as possible.
8. Reinstall the funnel.
9. Set the cone burr and holder onto the counter with the burr resting on the work surface. Set the adjustment ring (the ribbed portion facing down) over the top and firmly press the adjustment assembly down onto the cone burr and holder (fig L).

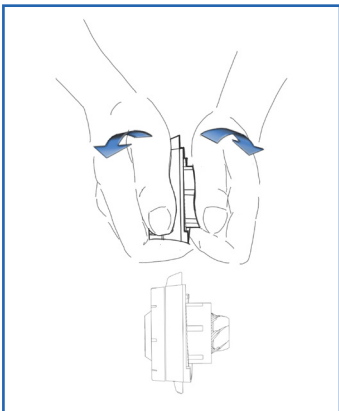


fig. I

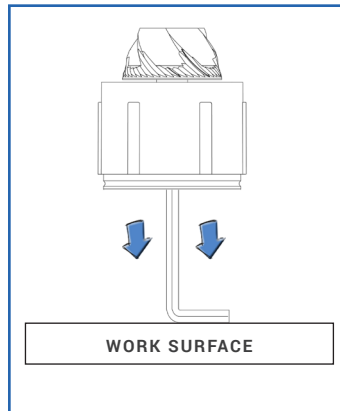


fig. J

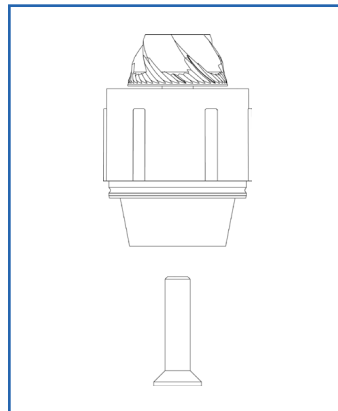


fig. K

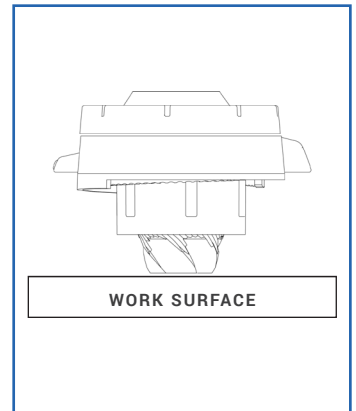


fig. L

WARRANTY & SERVICE

U.S. & CANADIAN WARRANTY INFORMATION

Limited Warranty for Baratza Grinders is 1 year from the original date of purchase. This warranty covers all defects in materials and workmanship (parts and labor) including free ground transportation to and from our repair facility within the US and Canada. This warranty does not apply to: improper use, lack of cleaning, abuse, normal wear and tear, lack of proper adjustment, foreign objects (stones, screws, etc.) in the beans, or uses outside the intended use of grinding whole roasted coffee beans. If your grinder fails within one year, email support@baratza.com or call 425-641-1245. For additional warranty, support, or troubleshooting information, go to baratza.com.

INTERNATIONAL WARRANTY INFORMATION

For all countries outside the US and Canada, the warranty, support and service is provided by the International Retailer you purchased from. If you purchased this grinder from a retailer outside of the country you live in, you may be responsible for any shipping costs to service the grinder, and you may need to pay for service.

PROOF OF PURCHASE AND PRODUCT REGISTRATION

You can register your grinder at baratza.com/register-your-grinder. Registration will enable us to contact you in the unlikely event of a product safety notification and assist us in complying with the provisions of the Consumer Product Safety Act. The serial number is located on the bottom of the grinders. Please keep your sales receipt that shows the date of purchase.

INFORMATION ON REPAIRS OR QUESTIONS

Contact: baratza.com/contact

For Parts and Information go to: baratza.com

For Troubleshooting Videos: youtube.com/user/Baratzallc1